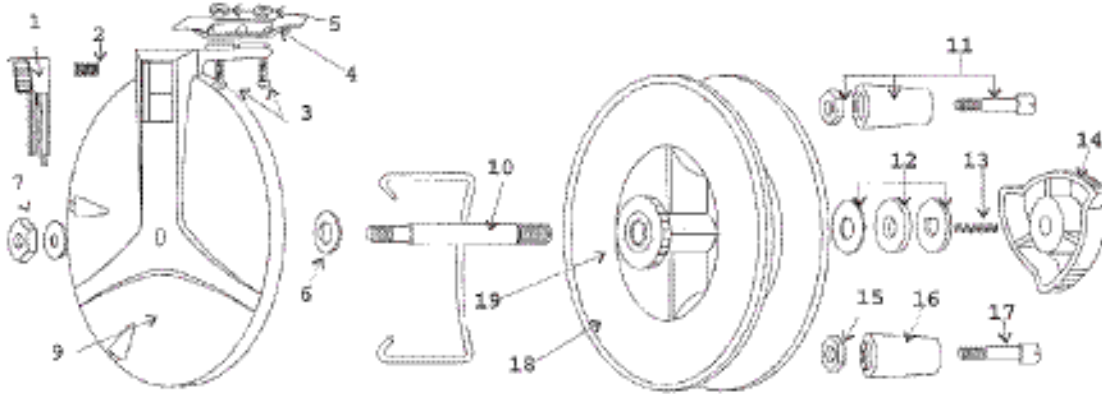


## MODEL 455B (CENTRE PIN STYLE)



KEY NO.	DESCRIPTION	PART NO.
1	RATCHET ASSEMBLY	R5E9
2	DRAG LEVER SPRING	R5H2
3	BASE BOLT	R2D4
4	BASE WITH RIVETS	R2C4
5	BASE BOLT NUT	R2F2
6	SPINDLE FIBRE WASHER	R6J1
7	SPINDLE HEX NUT	R6F2
9	BACK PLATE ASS. (All Parts Except R4B)	R1A
10	SPINDLE	R6A21
11	HANDLE ASSEMBLY	R4F4
12	SPINDLE WASHER SET	R6L1
13	SPINDLE SPRING	R6C7
14	SPINDLE NUT	R6B10
15	HANDLE LOCK NUT	R4G1
16	HANDLE ONLY	R4D3
17	HANDLE SCREW	R4E4
18	SPOOL WITH HANDLES	R4B
19	RATCHET WHEEL	R5B6