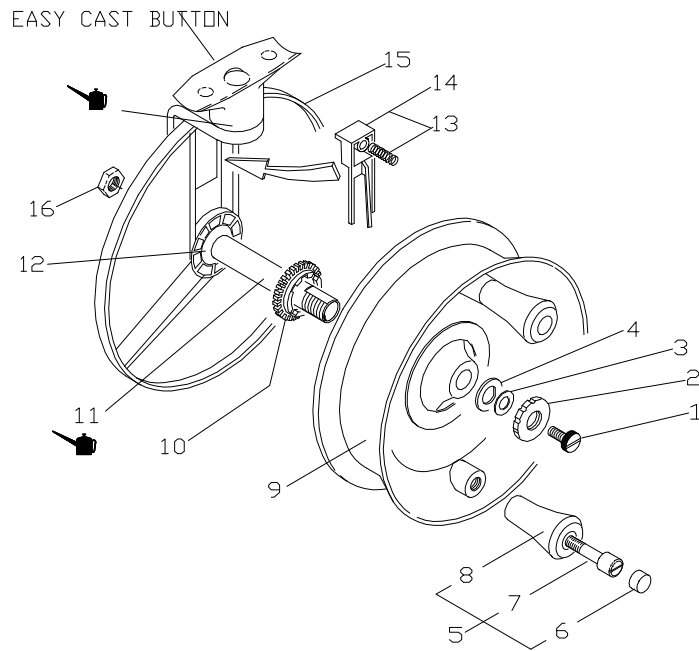


500B EXPLODED VIEW



Key	Part	Description	Key	Part	Description
1	R6E1	Spindle Screw	9	R4B	Spool with Handles
2	R6B7	Spindle Nut	10	R5B7	Fish Alert Wheel
3	R6C6	Wave Washer	11	R6A1	Spindle
4	R6D1	D Washer	12	R6J1	Spindle Washer
5	R4F2	Handle Assembly	13	R5H2	Fish Alert Spring
6	R4H1	Handle Plug	14	R5E9	Fish Alert Button
7	R4E2	Handle Screw	15	R1A	Reel without Spool
8	R4D2	Handle Knob	16	R6F1	Spindle Hex Nut