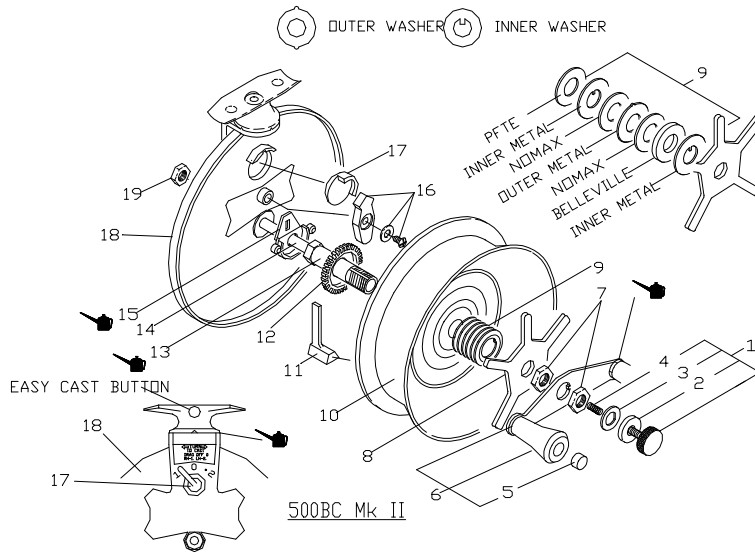


500BC EXPLODED VIEW



Key	Part	Description	Key	Part	Description
1	R6E2	Spindle Screw Set	11	R5F3	Fish Alert Spring
2	R6P1	Nitrile Washer	12	R5B1	Fish Alert Wheel
3	R6D1	D Washer	13	R7A5	Friction Tube
4	R6C4	Spindle Spring	14	R6A15	Spindle
5	R4H1	Handle Plug	15	R7L2	Silent Drag Cam
6	R7E3	Handle-plate Assem.	16	R7J8	Drag Pawl
7	R7F1	Handle-plate Lock Nut	17	R7K12	Drag On/Off Lever
8	R7D3	Drag Star Nut	18	R1A	Reel without Spool
9	R7B/C14	Friction Washer Set	19	R6F1	Spindle Hex Nut
10	R4A	Spool Only			