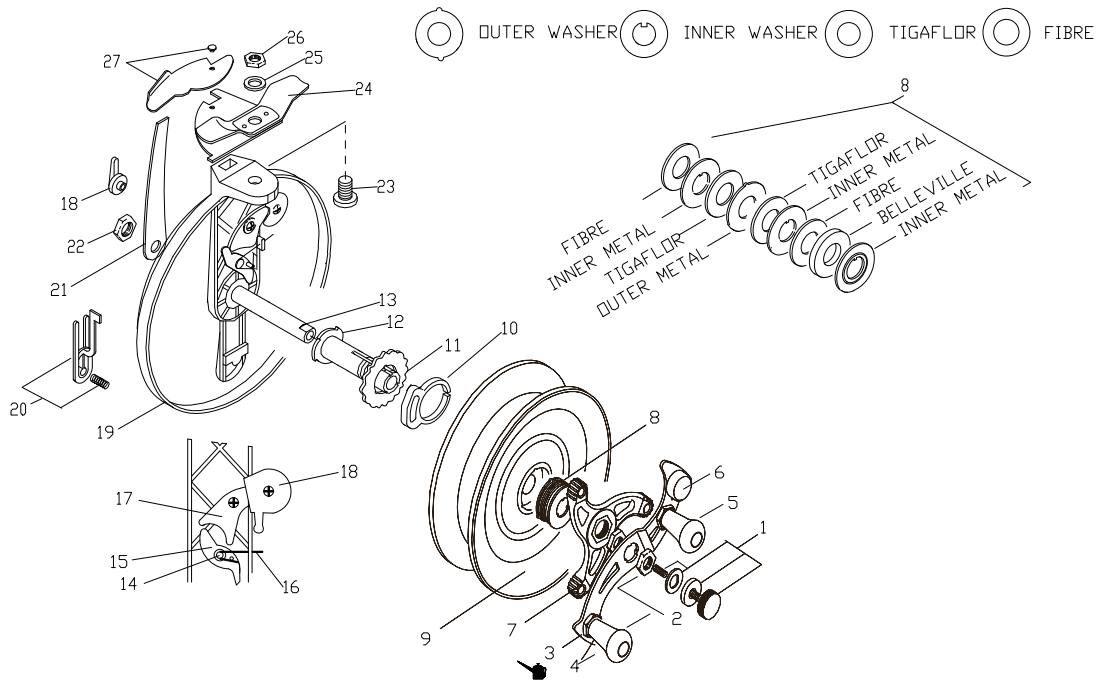


6000BCVRR



Key	Part	Description	Key	Part	Description
1	R6E2	Spindle Screw Set	15	R7J4	Drag Pawl
2	R7F1	Handle-plate Lock Nut	16	R5G3	Drag Pawl Spring
3	R7E22	Handle-plate & Handle	17	R5K1	On/Off Cam
4	R4F17	Power Handle Assy	18	R7K10	On/Off Lever/Activator
5	R4F4	Rapid Handle Assy	19	R1A	Reel without Spool
6	R7P3	Balance Weight	20	R5E10	Ratchet Button
7	R7D12	Tristar Drag Nut	21	R2G12	Base Lock Spring
8	R7B/C11	Friction Washer Set	22	R6F1	Hex Nut
9	R4A	Spool Only	23	R2D2	Base Bolt
10	R7L3	Silent Drag Cam	24	R2A1	Index Plate Assembly
11	R5B4	Fish Alert Wheel	25	R2L1	Base Bolt Washer
12	R7A6	Friction Tube	26	R2F1	Base Bolt Nut
13	R6A17	Spindle	27	R2H1	Lever & Rivet
14	R7M4	Drag Pawl Rivet			