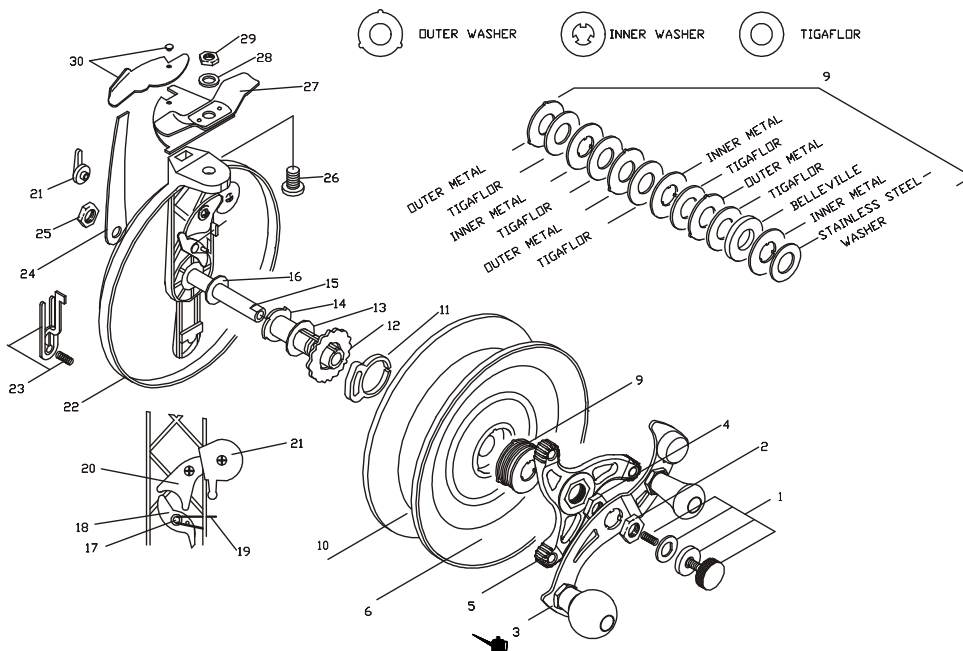


650BCVRR Exploded View



Key	Part	Description	Key	Part	Description
1	R6E4	Spindle Screw Set	16	R6J6	Spindle Washer
2	R7F2	Handle-plate Lock Nut	17	R7M4	Drag Pawl Rivet
3	R7E20	Handle-plate Assembly	18	R7J4	Drag Pawl
4	R7F2	Handle-plate Lock Nut	19	R5G3	Drag Pawl Spring
5	R7D11	Tristar Drag Nut	20	R5K1	On/Off Cam
6	R4A	Spool Only	21	R7K10	On/Off Lever & Activ
9	R7B/C12	Drag Washer Set	22	R1A	Reel without Spool
10	R4A	Spool Only	23	R5E10	Fish Alert Button
11	R7L1	Silent Drag Cam	24	R2G13	Base Lock Spring
12	R5B5	Fish Alert Wheel	25	R6F3	Dome Nut
13	R7H1	Friction Tube Washer	26	R2D2	Base Bolt
14	R7A4	Friction Tube	27	R2A2	Index Plate Assembly
15	R6A18	Spindle	28	R2L1	Base Bolt Washer
14	R7A4	Friction Tube	29	R2F1	Base Bolt Nut
15	R6A18	Spindle	30	R2H2	Lever & Rivet