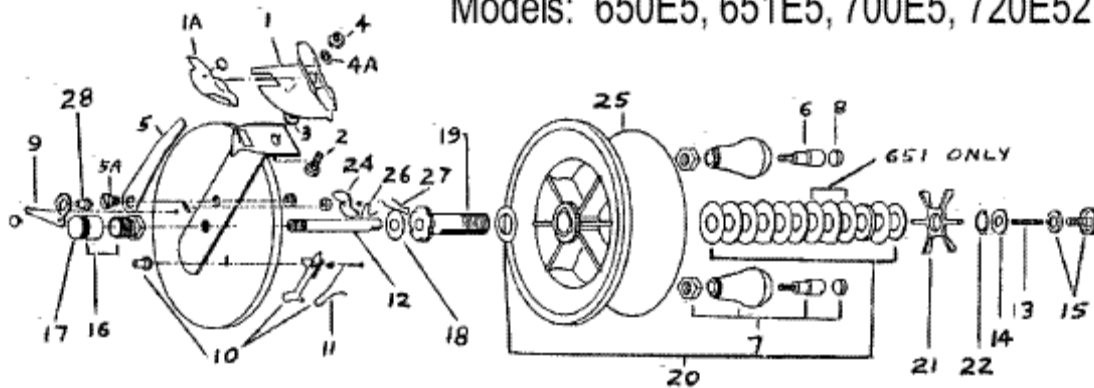


Models: 650E5, 651E5, 700E5, 720E52



KEY NO.	DESCRIPTION	Part No.	650E5	651E5	720E52 700E5
1	Base Assembly		R2A2	R2A3	R2A3
1A	Base Lever & Rivet		R2H2	R2H3	R2H3
2	Base Bolt		R2D2	R2D2	R2D2
3	Base Washer (Micarta)		R2E1	R2E1	R2E1
4	Base Bolt Nut		R2F1	R2F1	R2F1
4A	Base Washer (Stainless Steel)		R2L1	R2L1	R2L1
5	Base Lock Spring		R2G10	R2G11	R2G11
5A	Baselock Spring Screw & Nut			R2M1	R2M1
6	Handle Screw		R4E5	R4E5	R4E5
7	Handle Assembly		R4F6	R4F6	R4F6
8	Handle Plug		R4H2	R4H2	R4H2
9	Drag Lever & Rivet		R5C2	R5C2	R5C2
10	Ratchet Assembly		R5E6	R5E6	R5E6
11	Ratchet Spring		R5F2	R5F2	R5F2
12	Spindle		R6A11	R6A11	R6A11
13	Spindle Spring		R6C5	R6C5	R6C5
14	Spindle D Washer		R6D2	R6D2	R6D2
15	Spindle Screw		R6E4	R6E4	R6E4
16	Spindle Grease Cap and Nut		R6G1	R6G1	R6G1
17	Grease Cap Only		R6G2	R6G2	R6G2
18	Spindle Fibre Washer		R6J5	R6J5	R6J5
19	Drag Friction Tube		R7A3	R7A3	R7A3
20	Drag Clutch Washers Met/Fib		R7B/C5	R7B/C6	R7B/C5
21	Drag Star Adjusting Nut		R7D5	R7D5	R7D5
22	'O' Ring		R6Q1	R6Q1	R6Q1
24	Drag Pawl		R7J2	R7J2	R7J2
25	Drag Spool Only		R4A	R4A	R4A
26	Drag Pawl Spring		R5G1	R5G1	R5G1
27	Drag Lever Spring		R5H1	R5H1	R5H1
28	Drag Knob and Wheel		R7K2	R7K2	R7K2