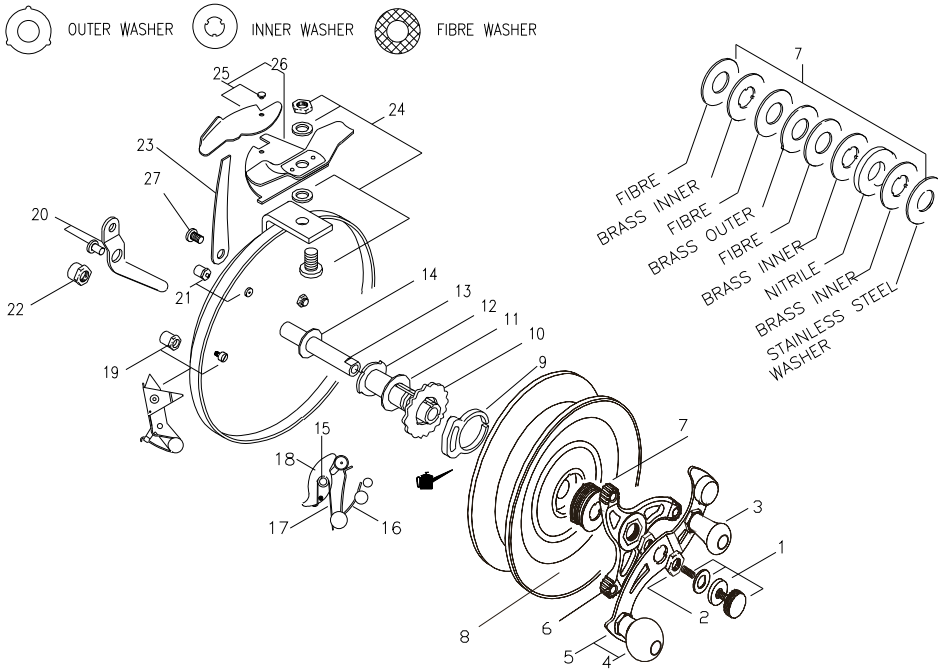


700C5RR



Key	Part	Description	Key	Part	Description
1	R6E4	Spindle Screw Set	15	R7M3	Drag Pawl Rivet
2	R7F2	Handle-plate Lock Nut	16	R5H1	Drag Lever Spring
3	R4F5	Rapid Handle Assy	17	R5G3	Drag Pawl Spring
4	R4F7	Power Handle Assy	18	R7J4	Drag Pawl
5	R7E21	Handle-plate Assembly	19	R5E6	Ratchet Assembly
6	R7D11	Drag Tension Star	20	R5C2	Drag Lever & Rivet
7	R7B/C5	Drag Washer Set	21	R7K2	Drag Knob & Wheel
8	R4A-700	Spool Only	22	R6F3	Dome Nut
9	R7L1	Silent Drag Cam	23	R2G11	Base Lock Spring
10	R5B5	Fish Alert Wheel	24	R2DEF2	Base Bolt Assembly
11	R7H1	Friction Tube Washer	25	R2H2	Lever & Rivet
12	R7A4	Friction Tube	26	R2A2	Index Plate Assembly
13	R6A12	Spindle	27	R2M1	B/L Spr Screw & nut
14	R6J5	Spindle Washer			